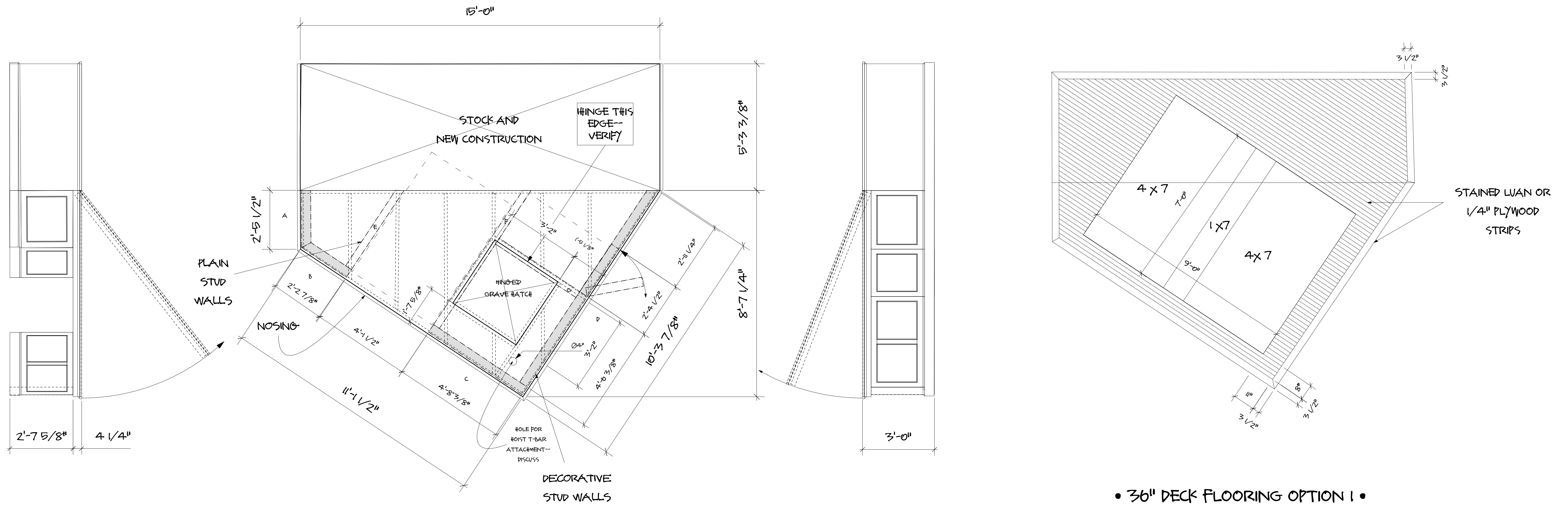


1

**WHOSE BODY?** LIFELINE THEATRE CHICAGO

- GROUND PLAN AND SIDE ELEVATION
- DIRECTOR: JESS HUTCHINSON    • DESIGNER: ALAN DONAHUE
- SCALE: 1/2" = 1'-0"    • JULY 15, 2019

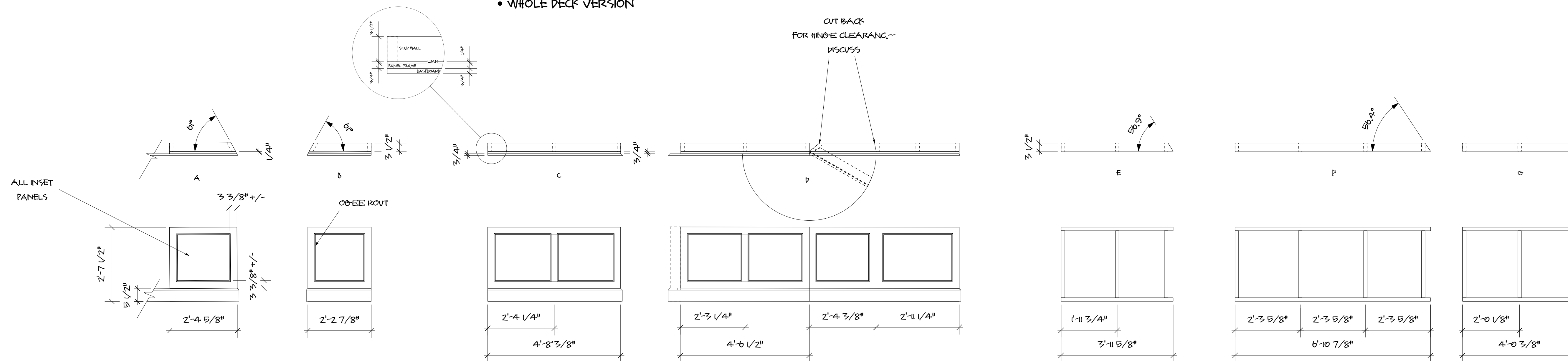


• 36" DECK OPTION 1 •

• 36" DECK FLOORING OPTION 1 •

• WHOLE DECK VERSION

• WHOLE DECK VERSION



• STUDWALL LEGGING •

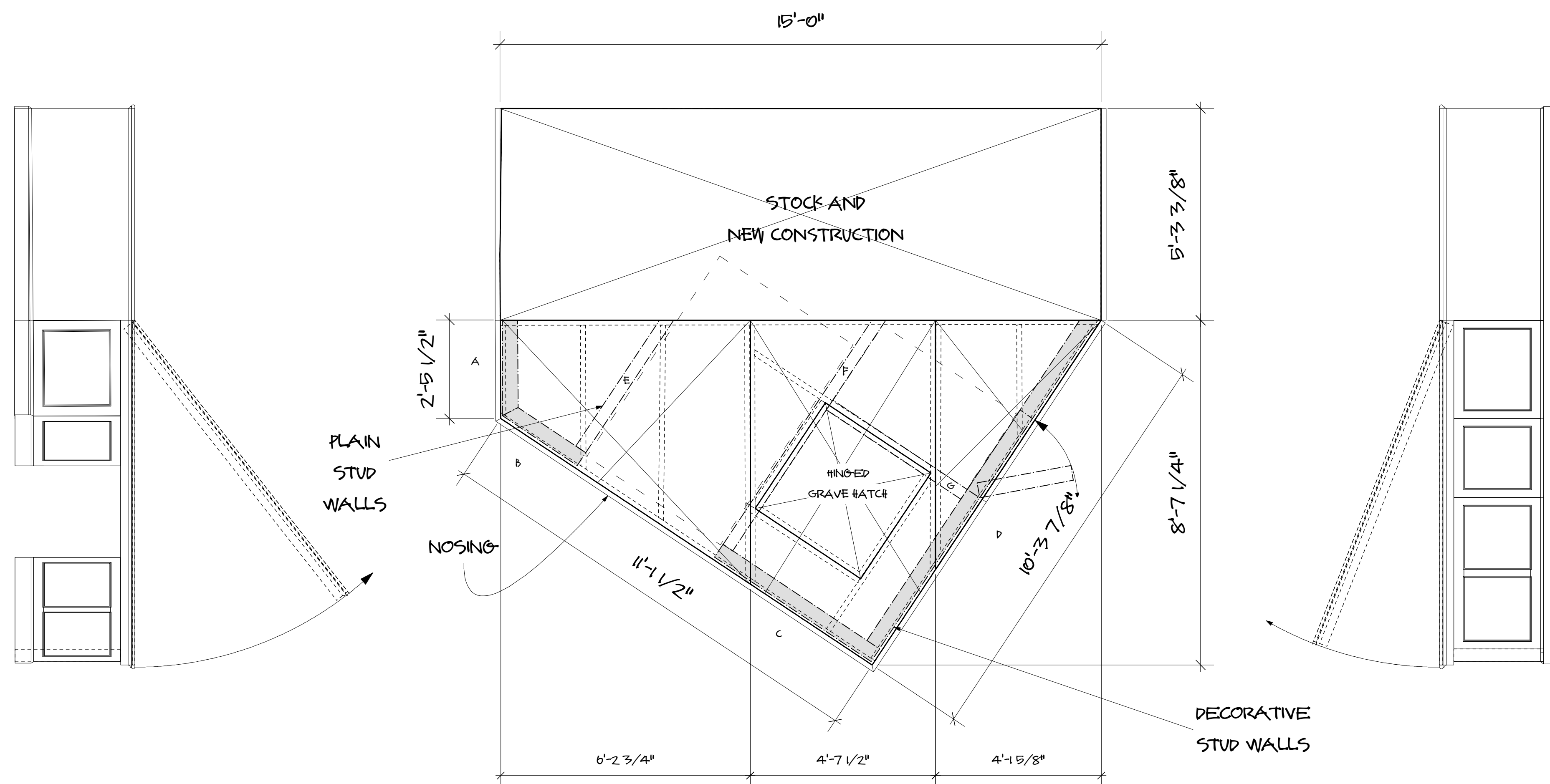
- USE WITH EITHER DECK OPTION
- PIN HINGE TOGETHER

2

WHOSE BODY?

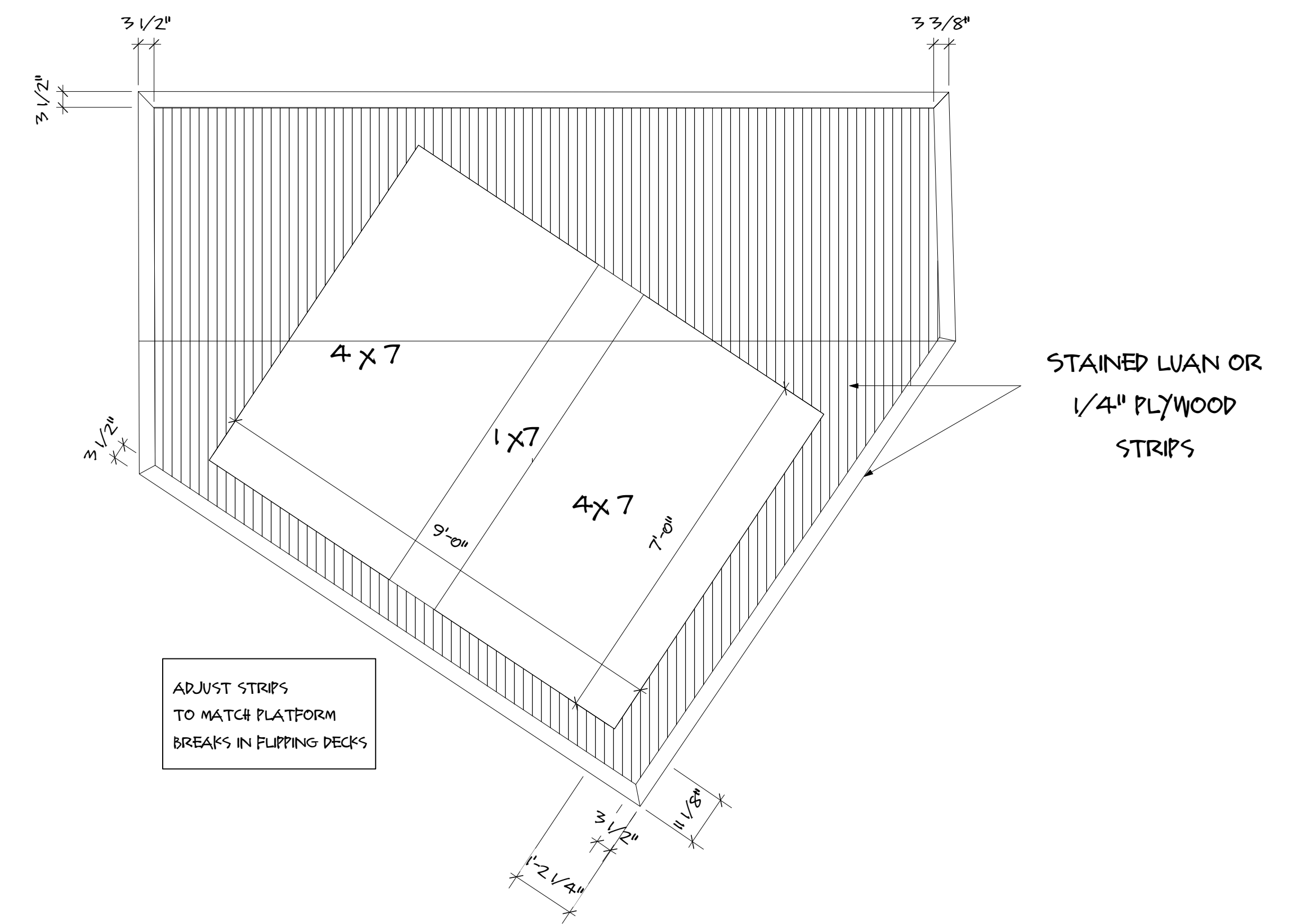
LIFELINE THEATRE CHICAGO

- DECKING
- DIRECTOR: JESS HUTCHINSON • DESIGNER: ALAN DONAHUE
- SCALE: 1/2" = 1'-0" • JULY 15, 2019



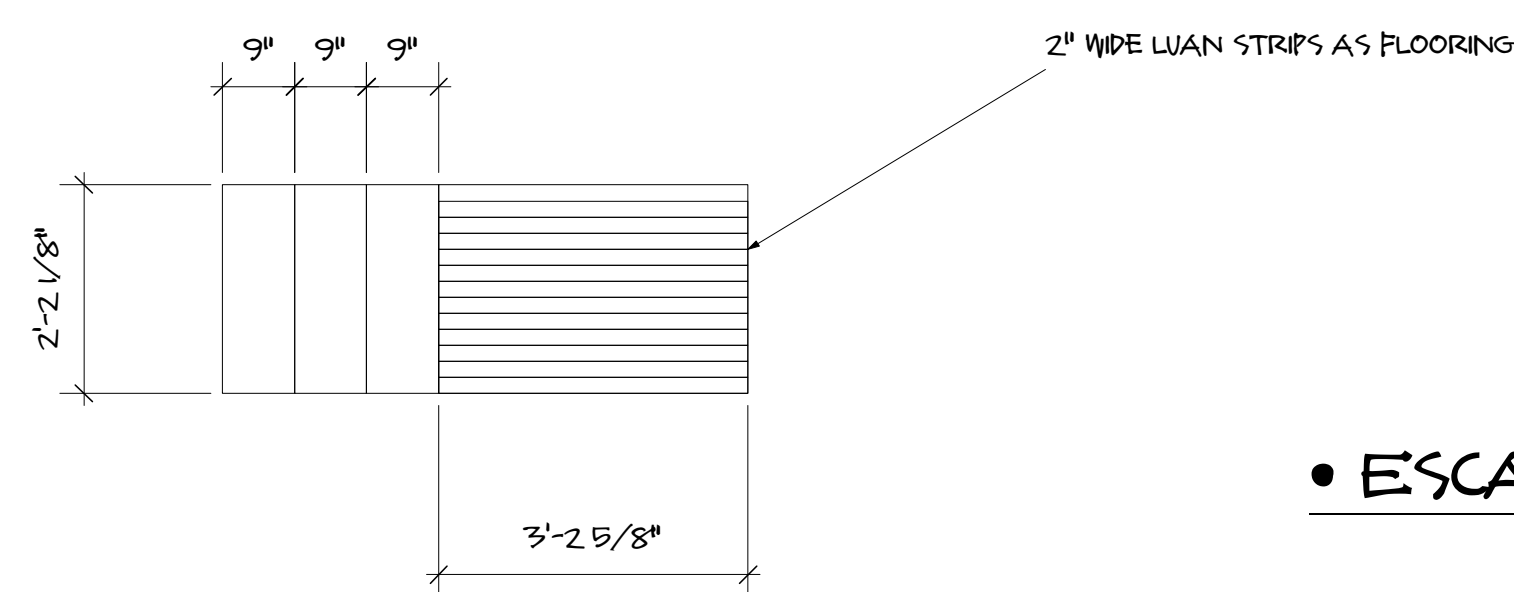
• 36" DECK OPTION 2 •

- ALTERNATE SPLIT DECK VERSION
- SEE OTHER VERSION FOR ADDITIONAL LAYOUT DIMENSIONS



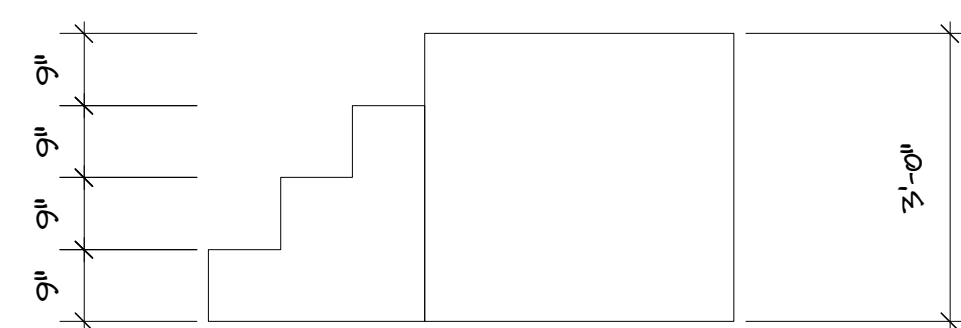
• 36" DECK FLOORING OPTION 2 •

- SPLIT DECK VERSION



• ESCAPE DECK AND STEPS •

- USE STOCK AS AVAILABLE

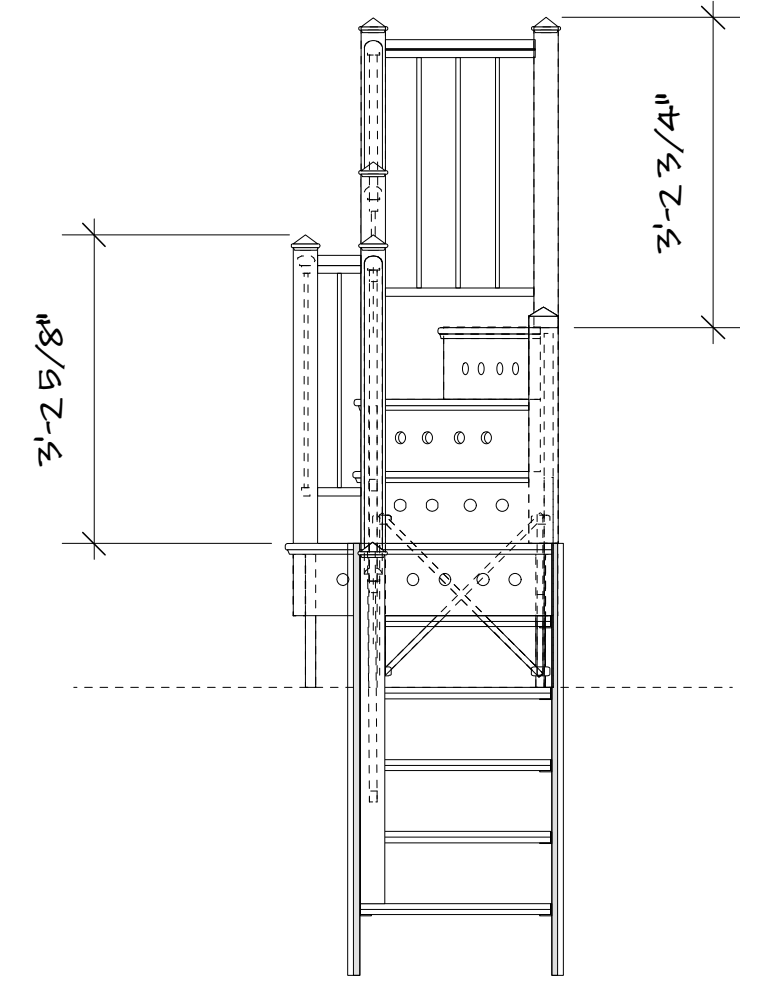
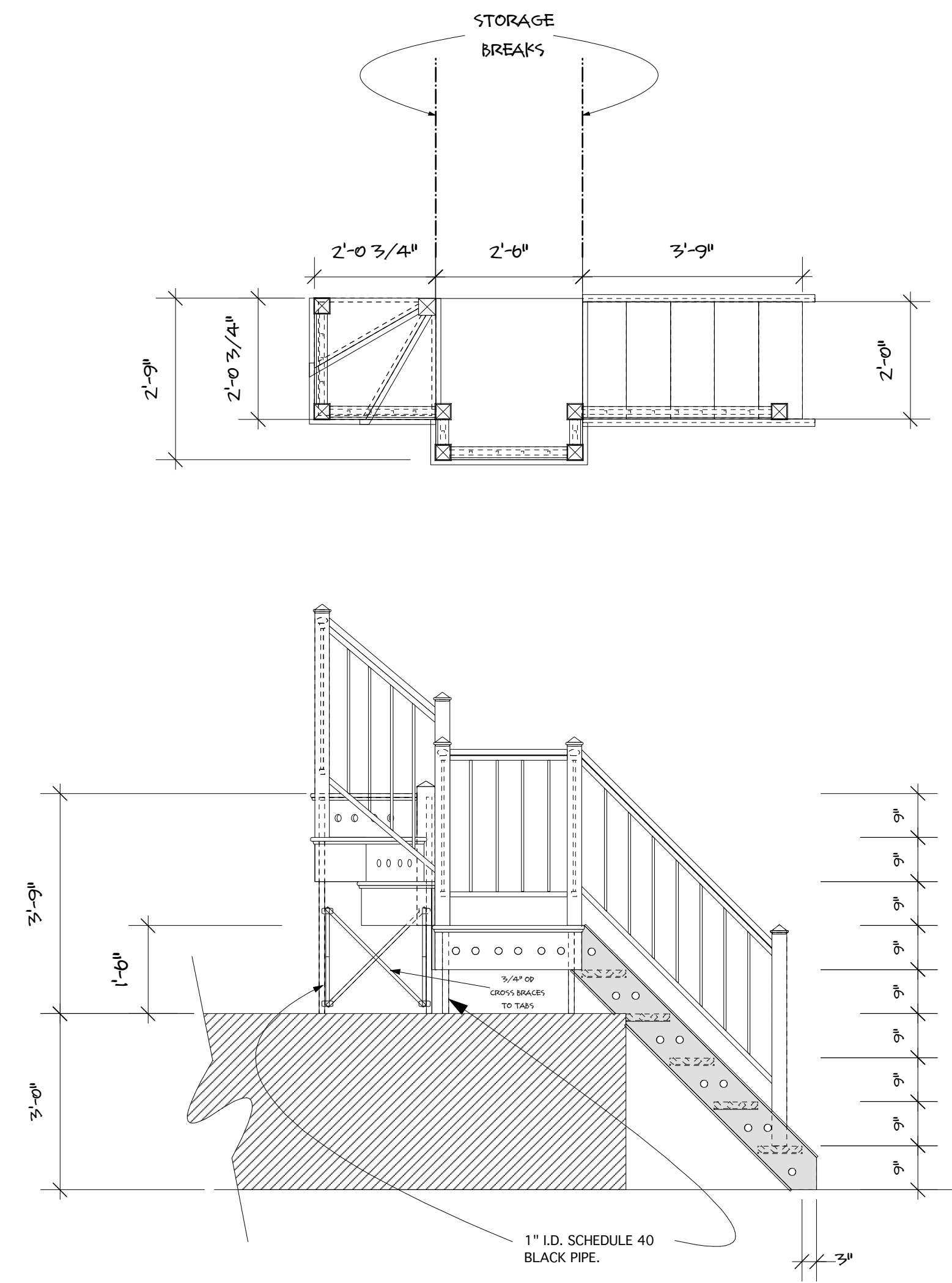
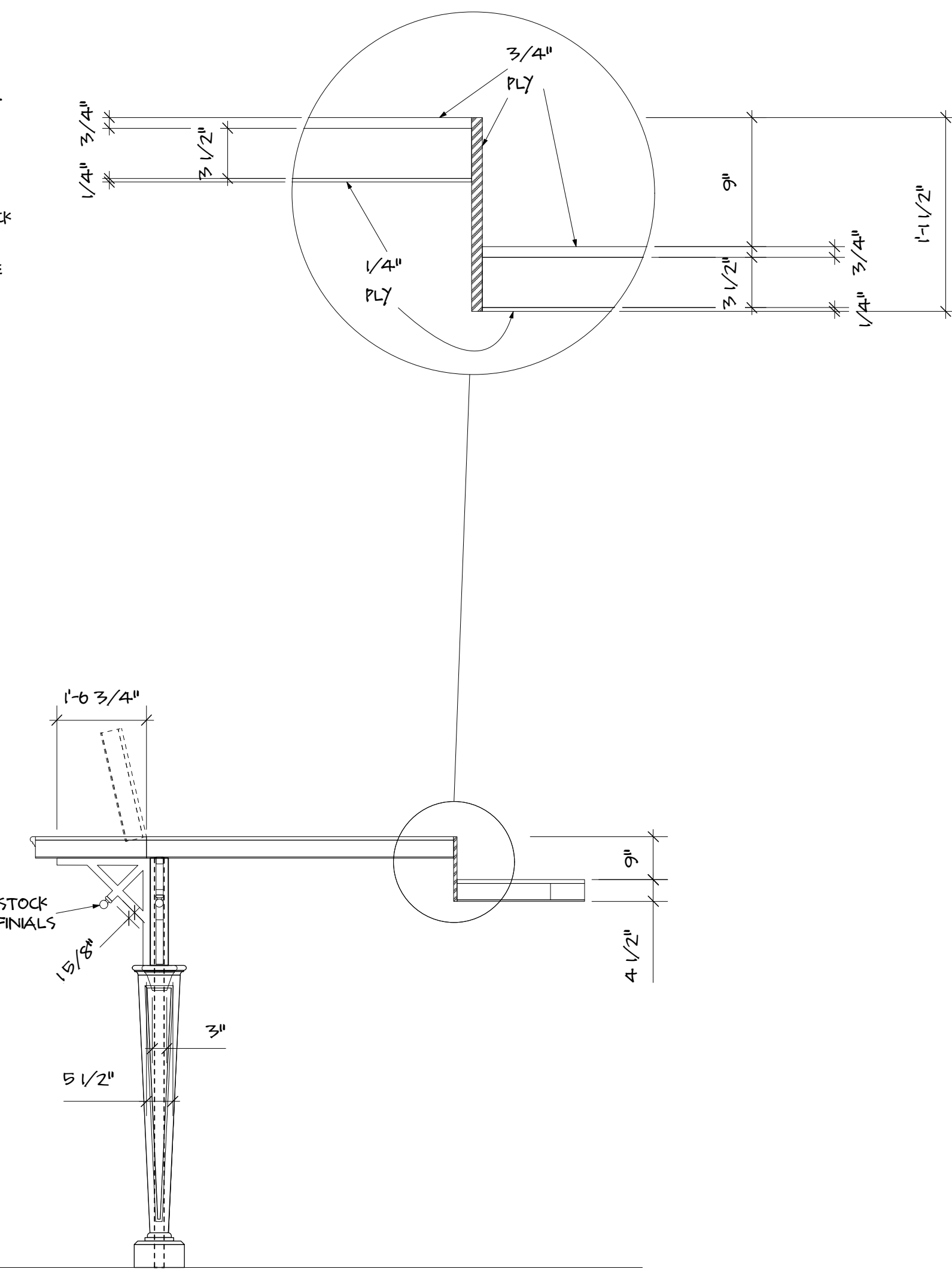
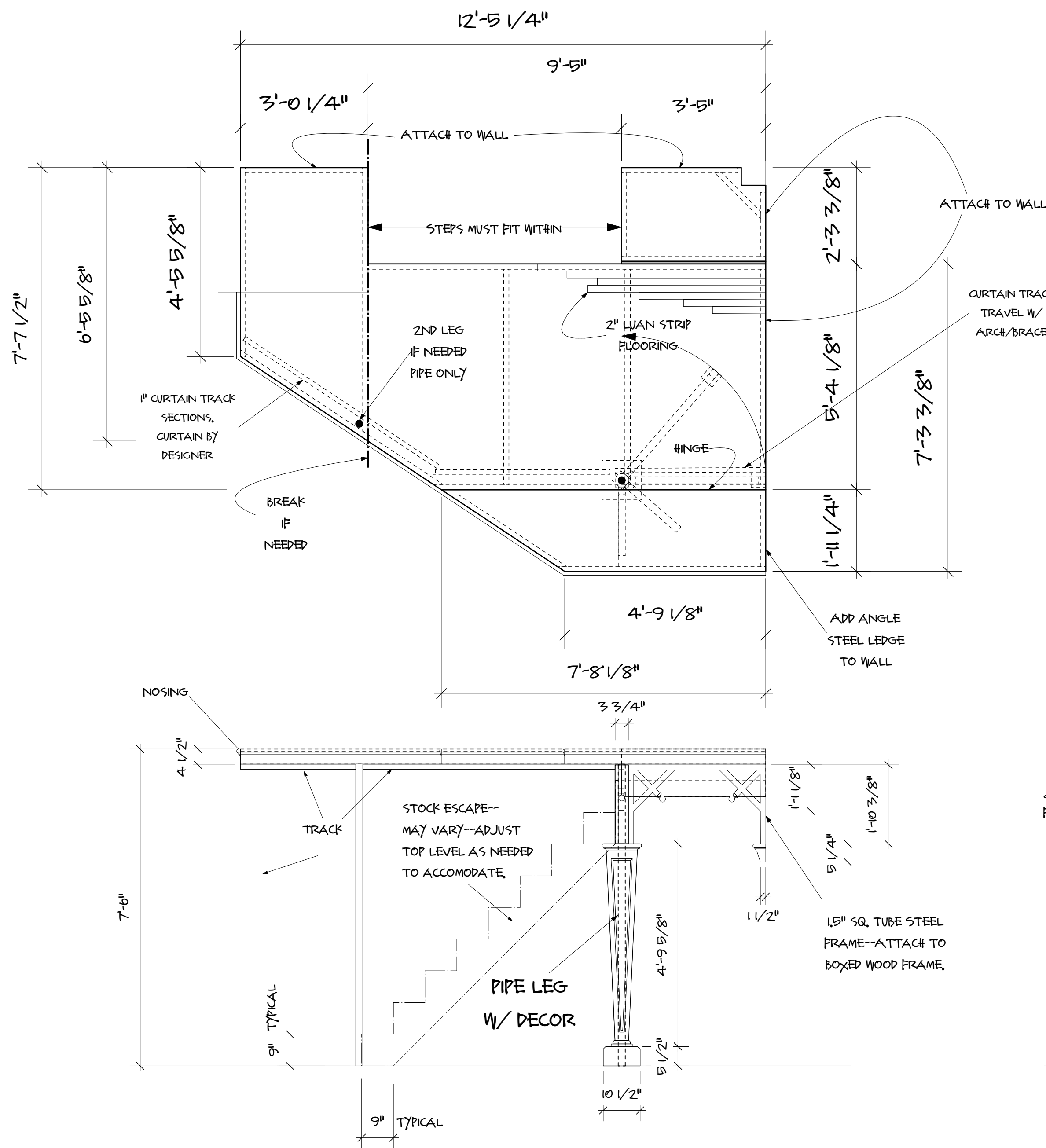


3

WHOSE BODY?

LIFELINE THEATRE CHICAGO

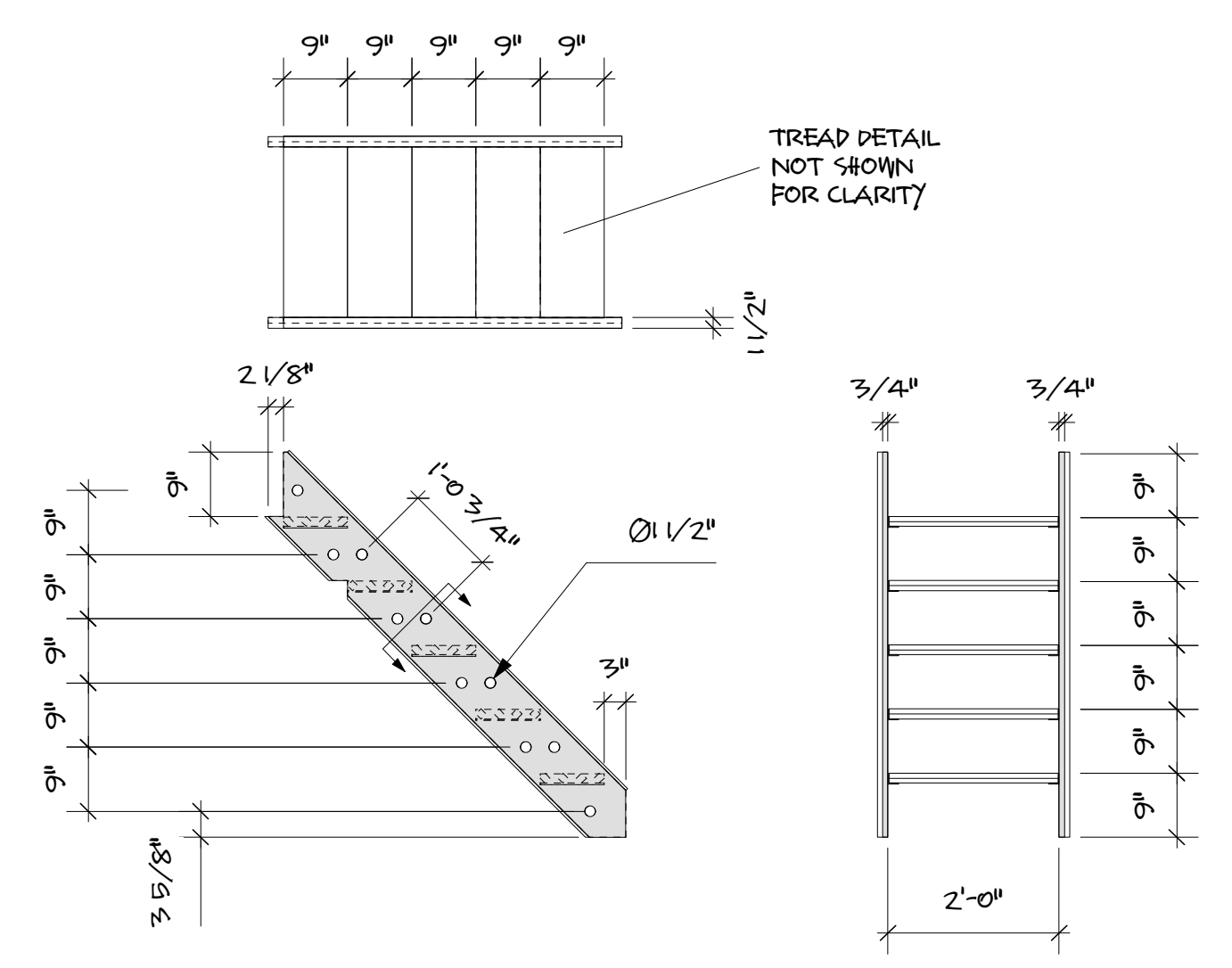
- DECKING
- DIRECTOR: JESS HUTCHINSON • DESIGNER: ALAN DONAHUE
- SCALE: 1/2" = 1'-0" • JULY 15, 2019



• STEPS •

• COMPOSITE VIEW--SEE DETAILS BELOW  
 ≠ NEXT SHEET

• UPPER DECKING •

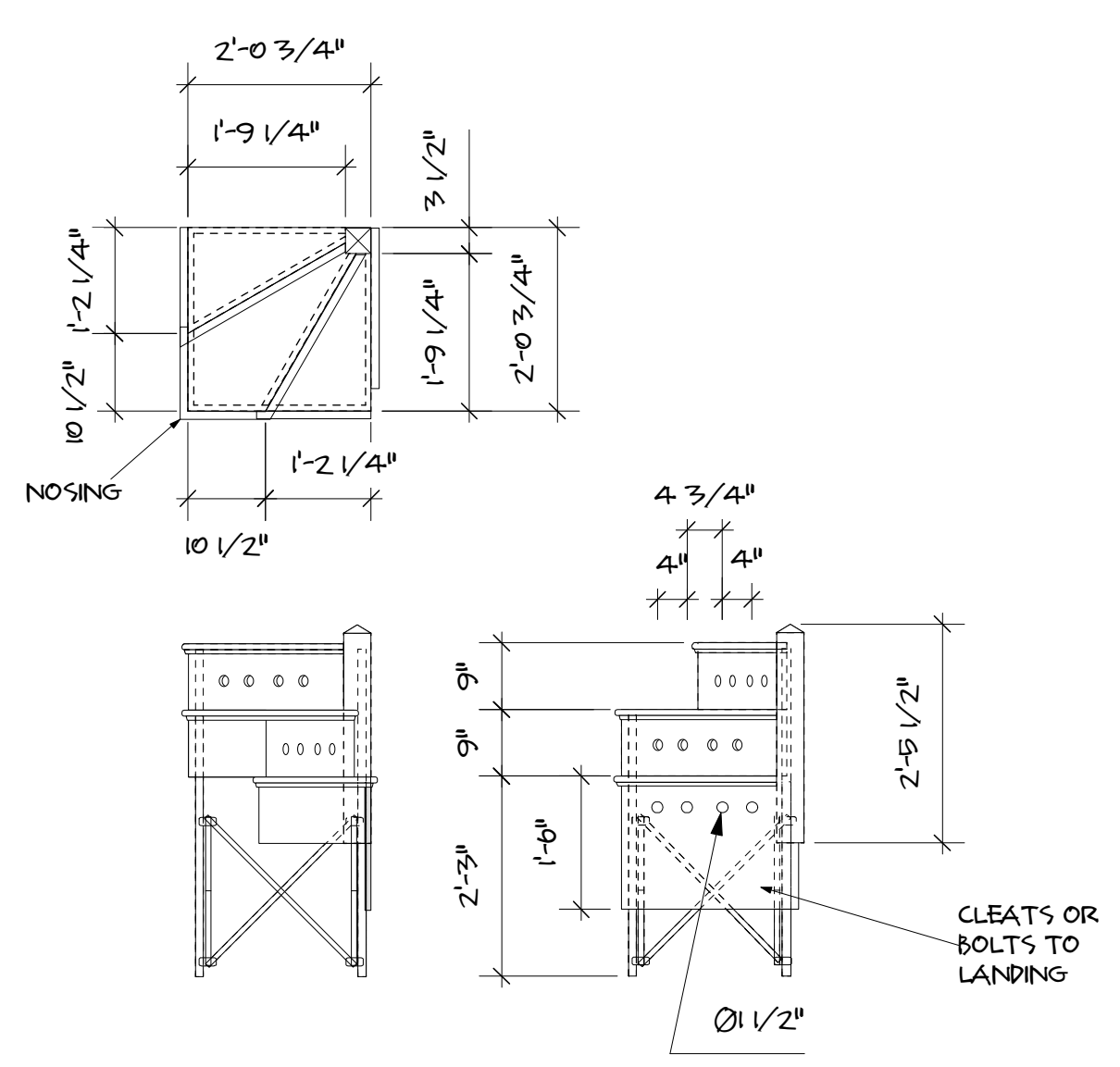


• CARRIAGE SECTION •

• SCALE 1 1/2" = 1'-0"

• LOWER STEPS DETAIL •

• CLEAT OR BOLT TO LANDING UNIT



• CORNER STEP DETAIL •

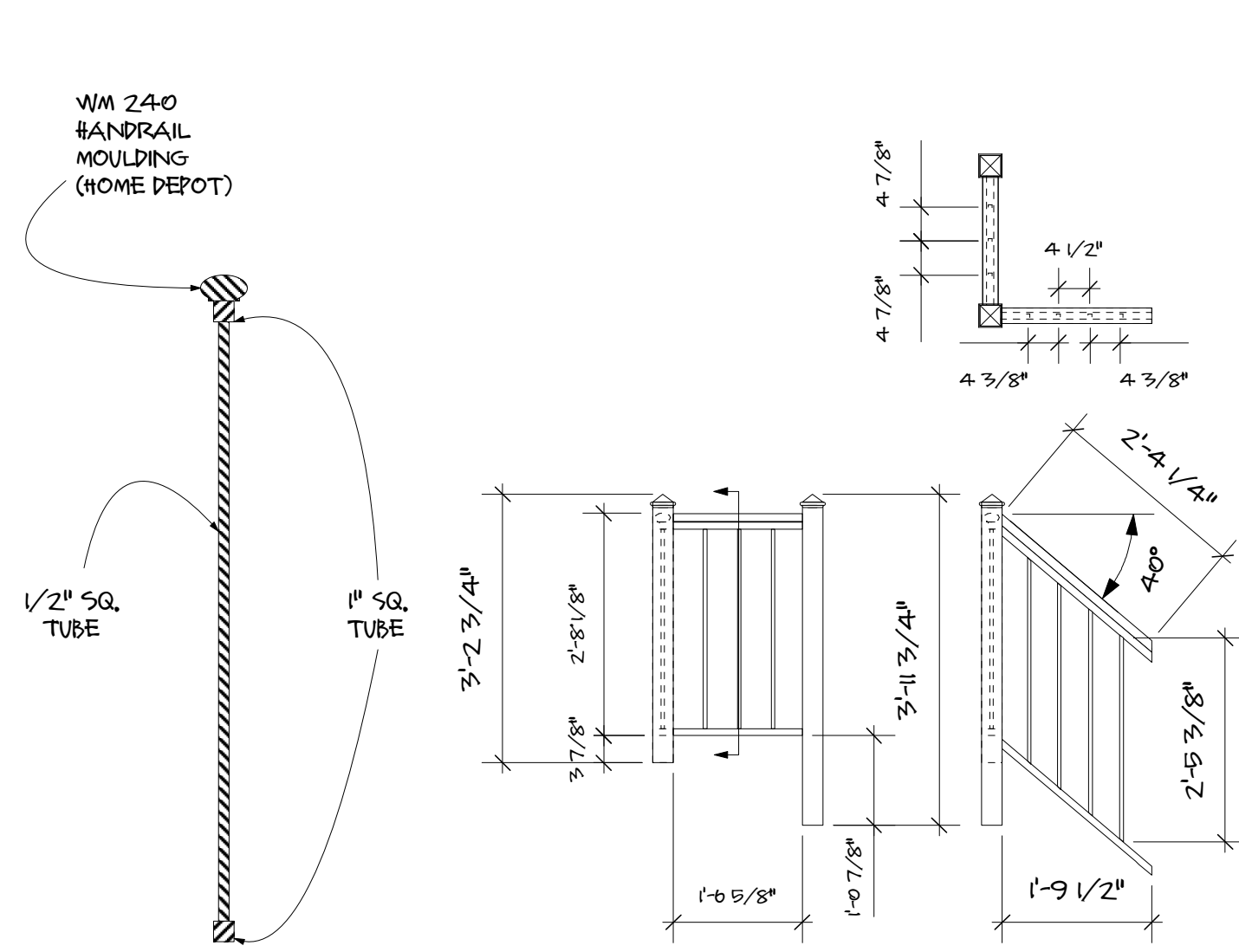
• ATTACH PERMANENTLY TO DECK

• STAIR LANDING DETAIL •

• CLEAT OR BOLT TO CORNER STEP UNIT

4

WHOSE BODY? LIFELINE THEATRE CHICAGO  
 • DECKING/STEPS • DIRECTOR: JESS HUTCHINSON • DESIGNER: ALAN DONAHUE  
 • SCALE: 1/2" = 1'-0" • JULY 15, 2019

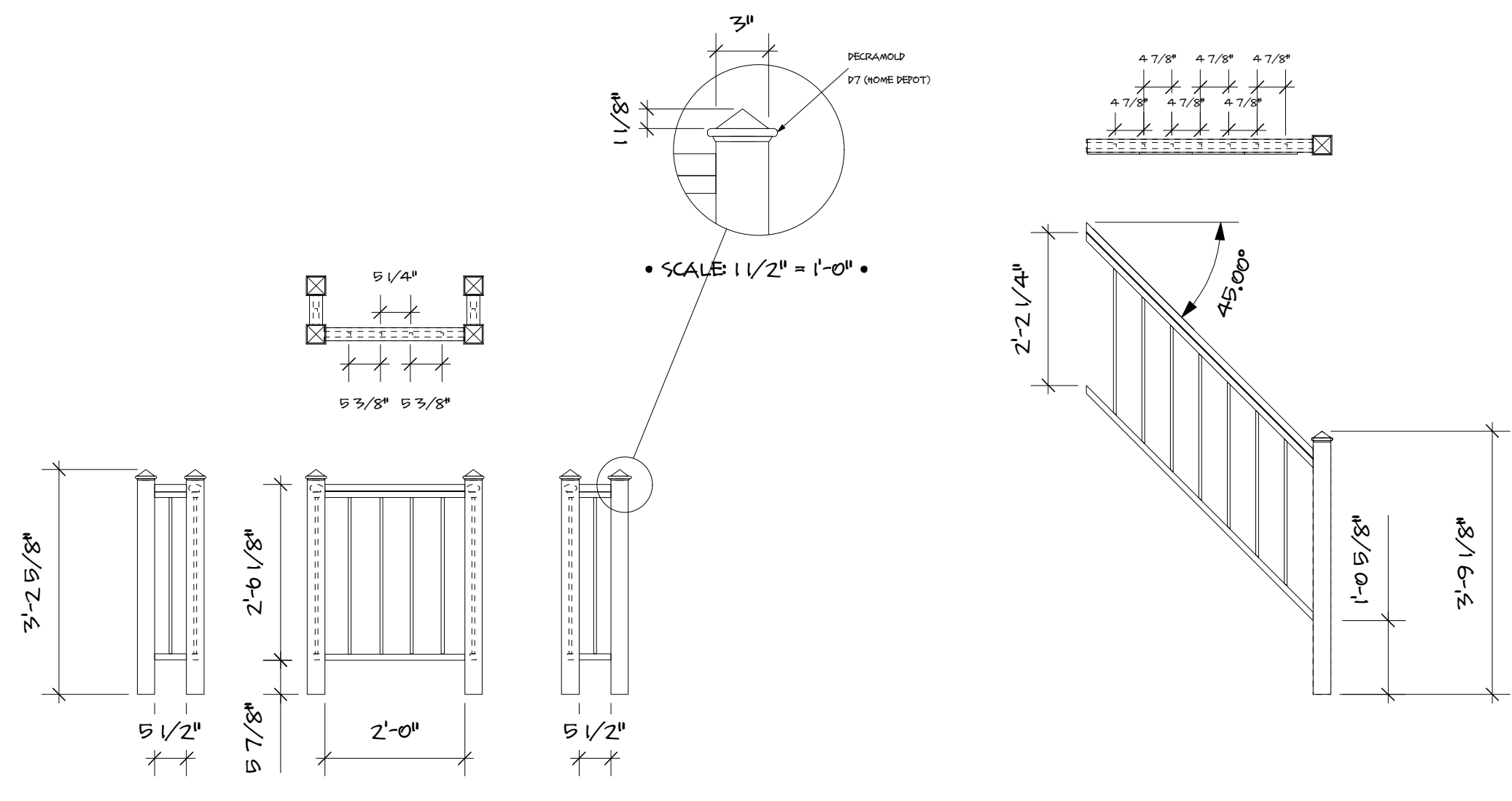


• RAIL DETAIL •

• SCALE 1/2" = 1'-0" •

• CORNER STEPS RAILING •

• SCALE 1/2" = 1'-0" •



• LANDING RAILING •

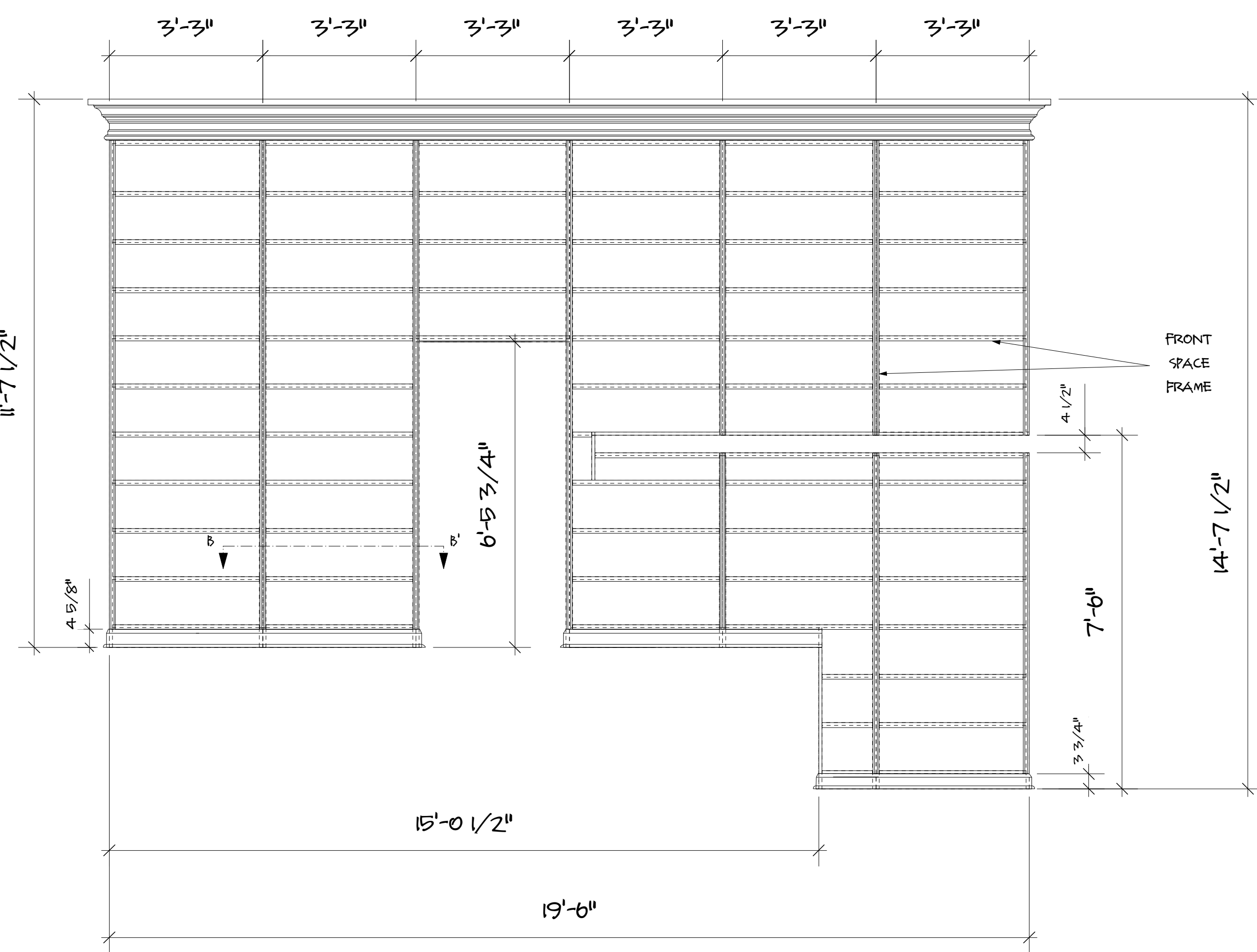
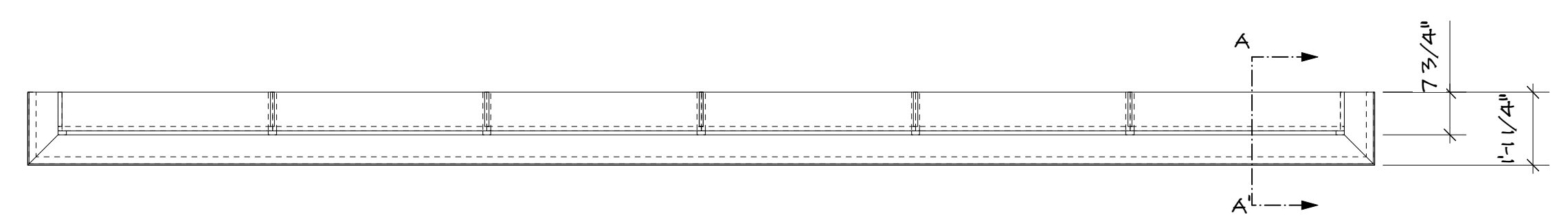
• SCALE 1/2" = 1'-0" •

• LOWER STEPS RAILING •

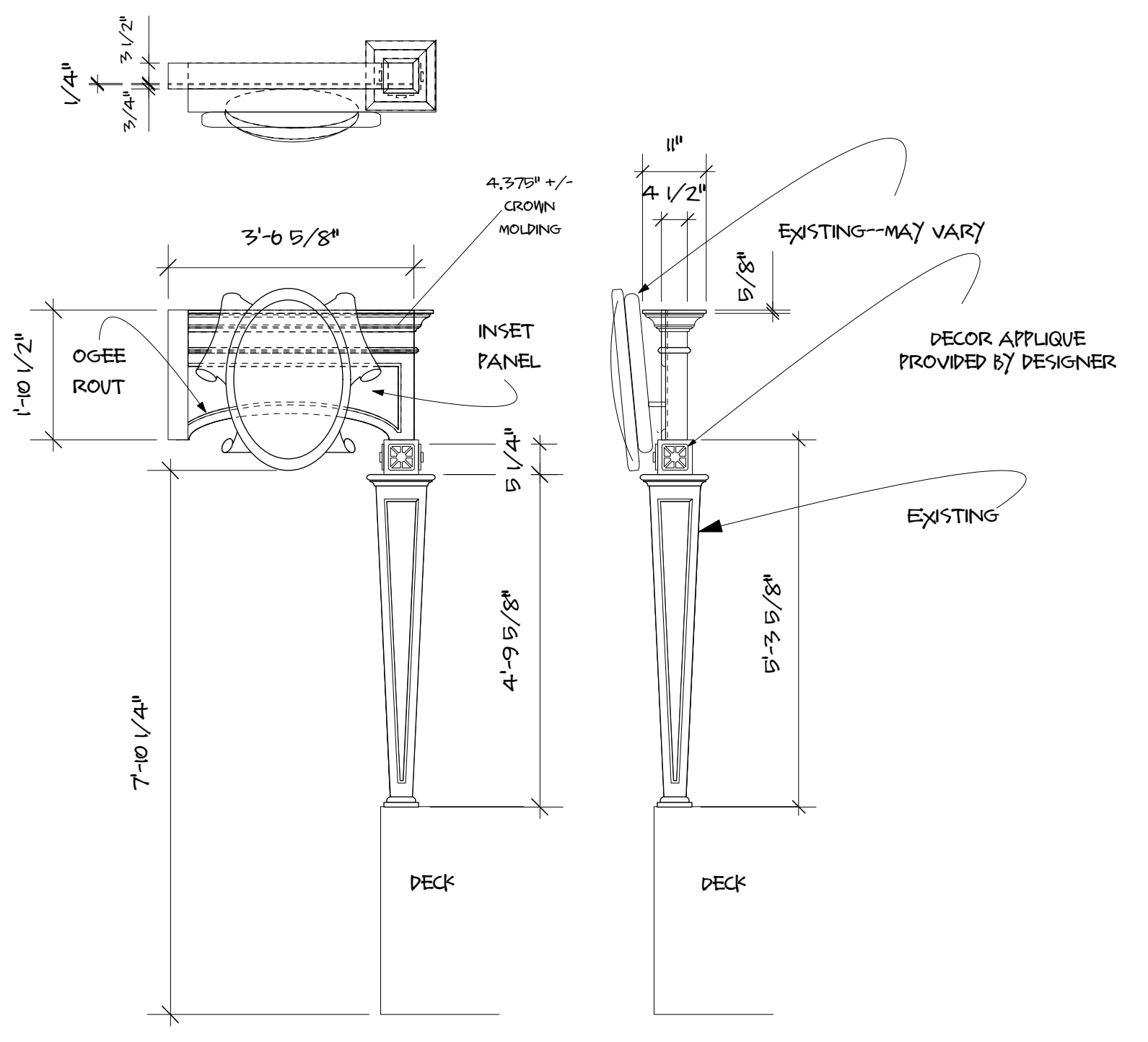
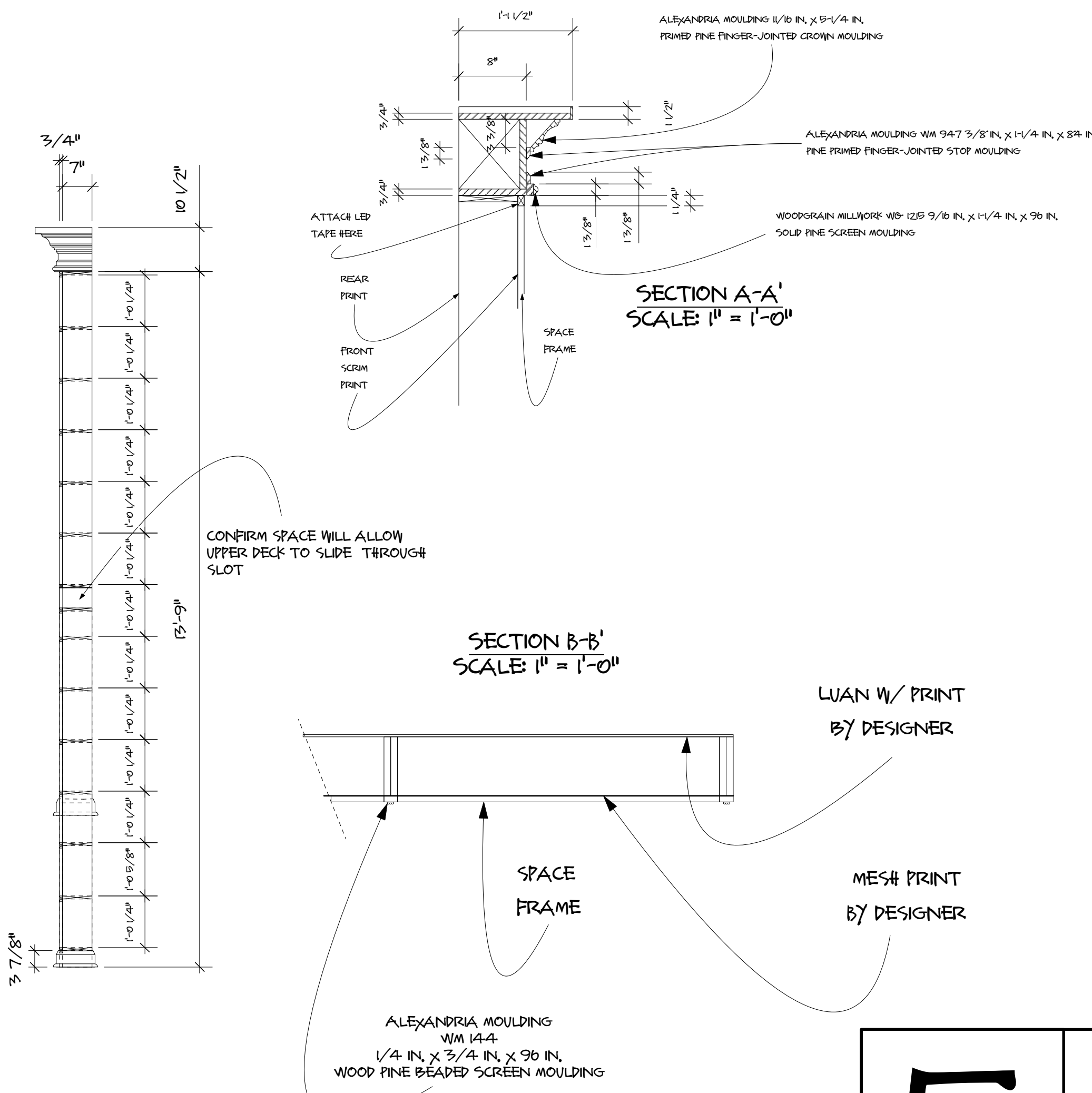
• SCALE 1/2" = 1'-0" •

• STAIR RAILINGS •

• PAINTED METALLIC BLACK •

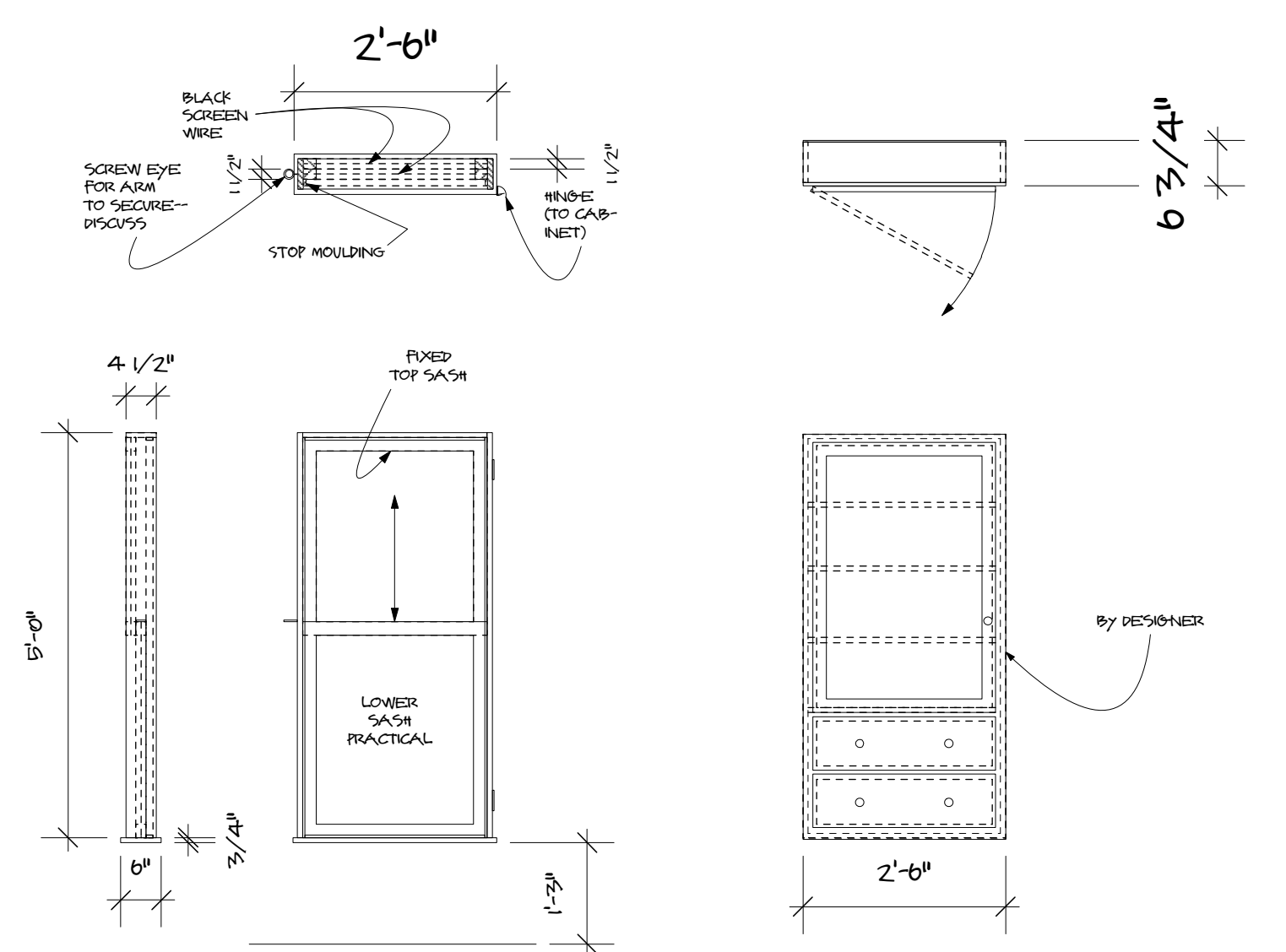


• BOOKCASE SCRIM LIGHTBOX •



• STAGE RIGHT ARCH •

• ADD PIPE OR OTHER STRUCTURE THROUGH VERTICAL AS NEEDED •



PRACTICAL WINDOW

MEDICINE CABINET

5

WHOSE BODY? LIFELINE THEATRE CHICAGO  
 • RAILINGS/BOOKCASE/MISC. • DIRECTOR: JESS HUTCHINSON • DESIGNER: ALAN DONAHUE  
 • SCALE: 1/2" = 1'-0" • JULY 15, 2019